

After they ate, Jesus and Peter had an important conversation.

To find out what they said, change each consonant to the next consonant in the alphabet but leave vowels as they are (vowels are A, E, I, O, U). For example, change B to C, C to D, etc. Change Z to B.



S
RILOM, ROM OD
HOGM, CO XOU KOTE
LE LOQE SGAM SGERE?

XOU JMOV SGAS
I KOTE XOU.

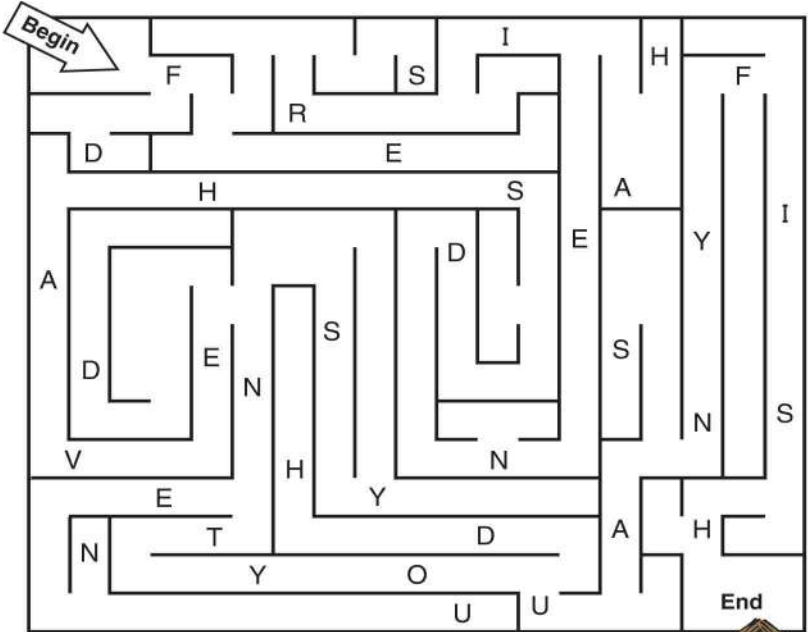


DEEC LX RGEEN.

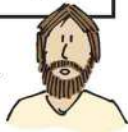
Jesus by the Sea of Tiberias

Jesus appeared to His disciples when they were fishing, but because He stood on the shore, they couldn't recognize Him. Jesus called out to them. What did He ask?

Follow the correct path through the maze to find the letters to fill in the blanks.



“ _____ , _____ , _____ ?”



Willowdale Seventh-day Adventist Church

Children's Ministries
535 Finch Avenue West, North York, ON M2R 3X2
Tel: (416) 636-2471

Enter your **SECRET CODE** to unlock games @ games.childrensbulletins.com **SECRET CODE**
WA4328

